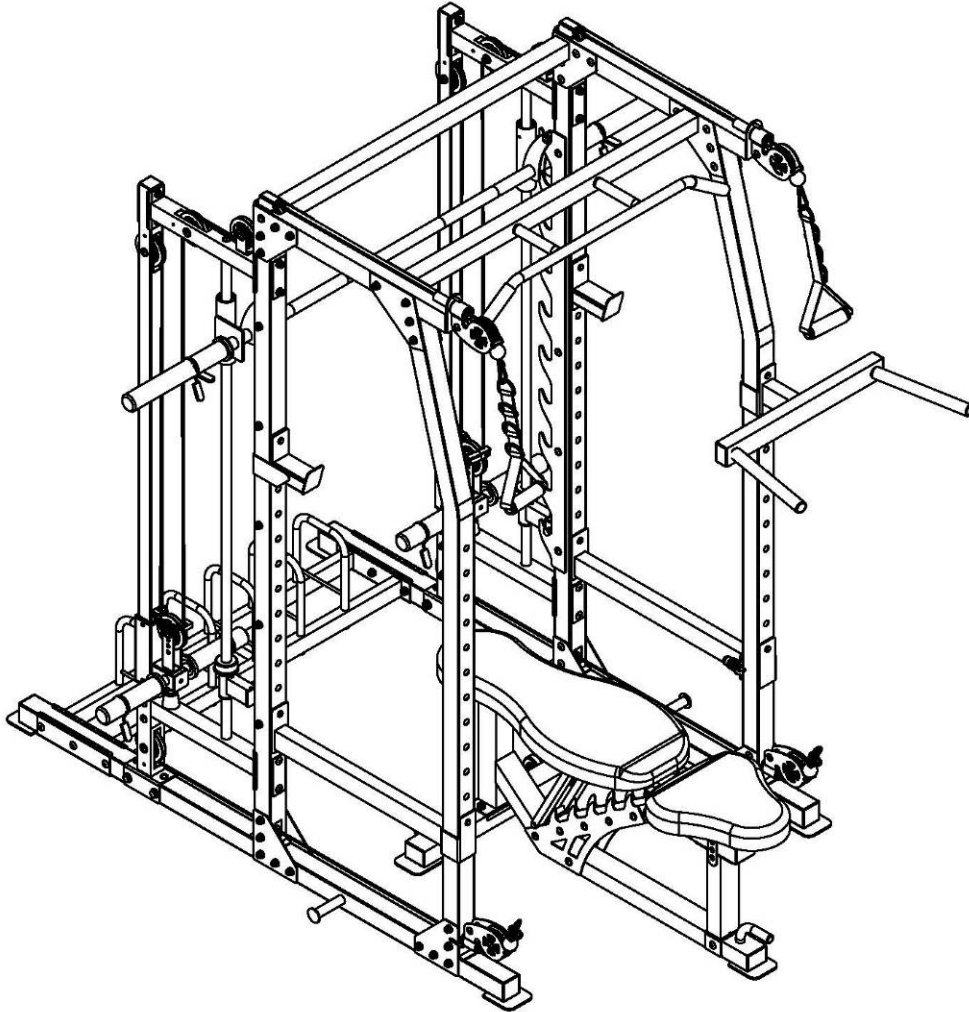


MARCY[®]

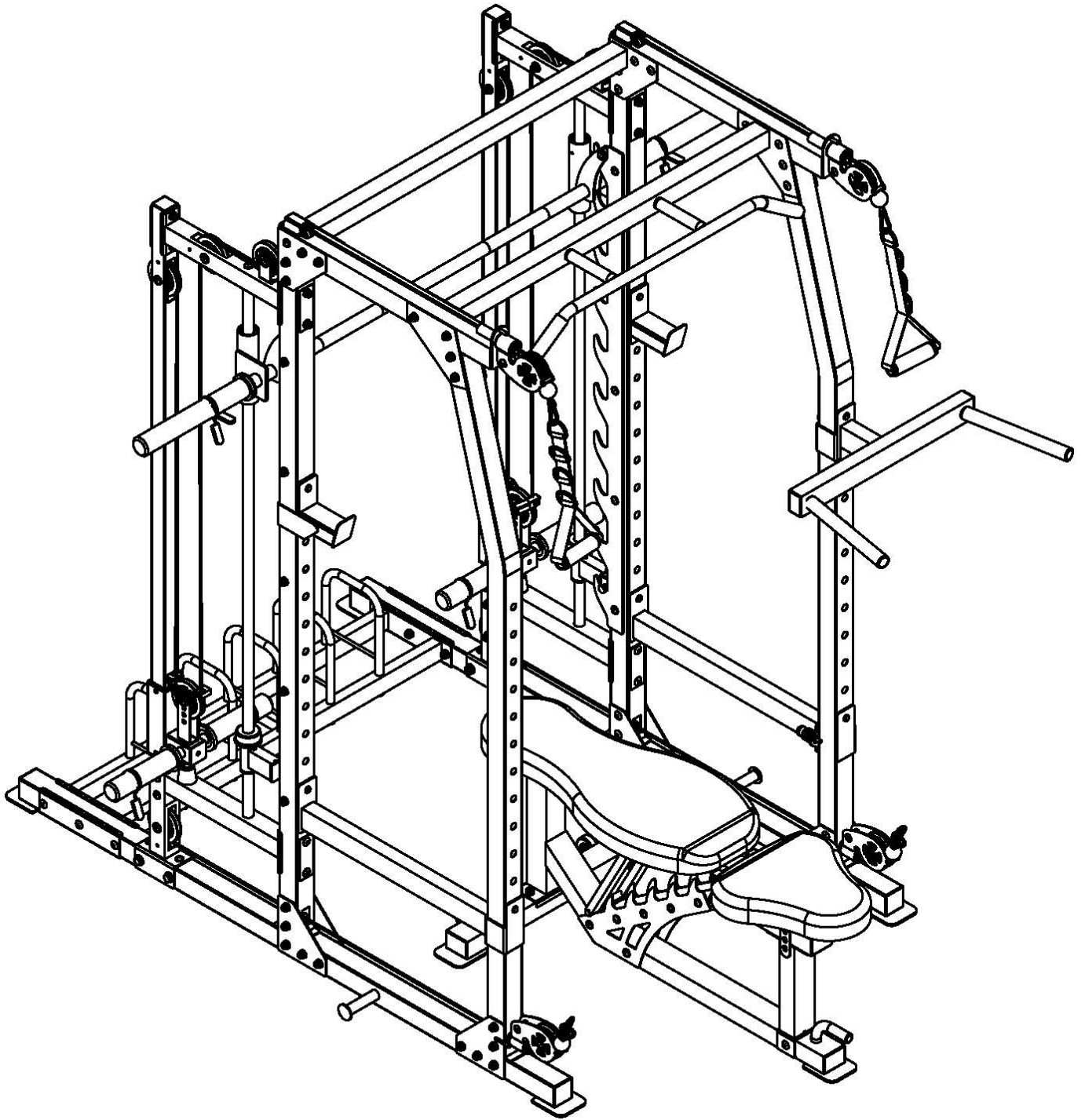
MARCY PRO SMITH MACHINE SM-4903

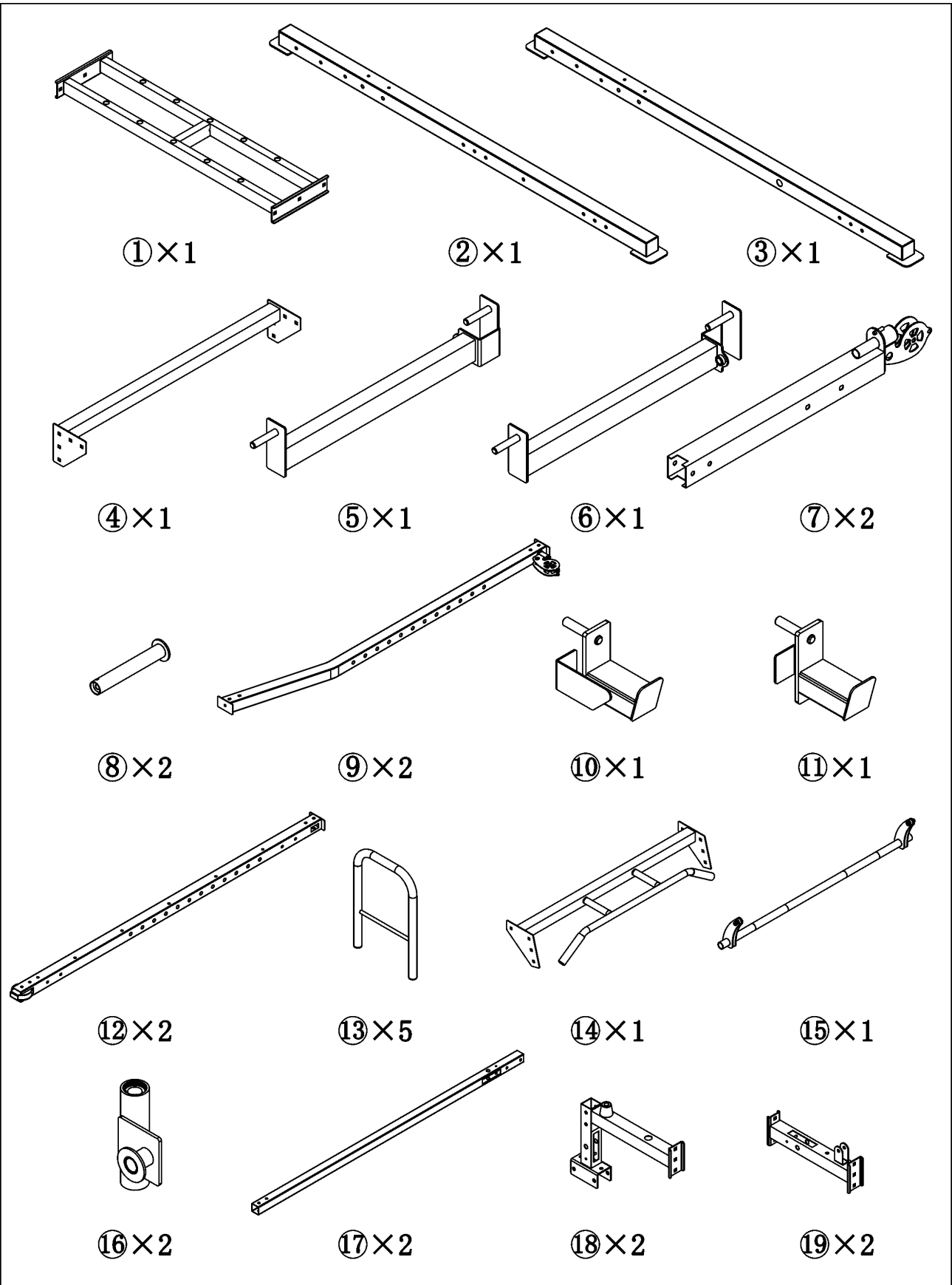


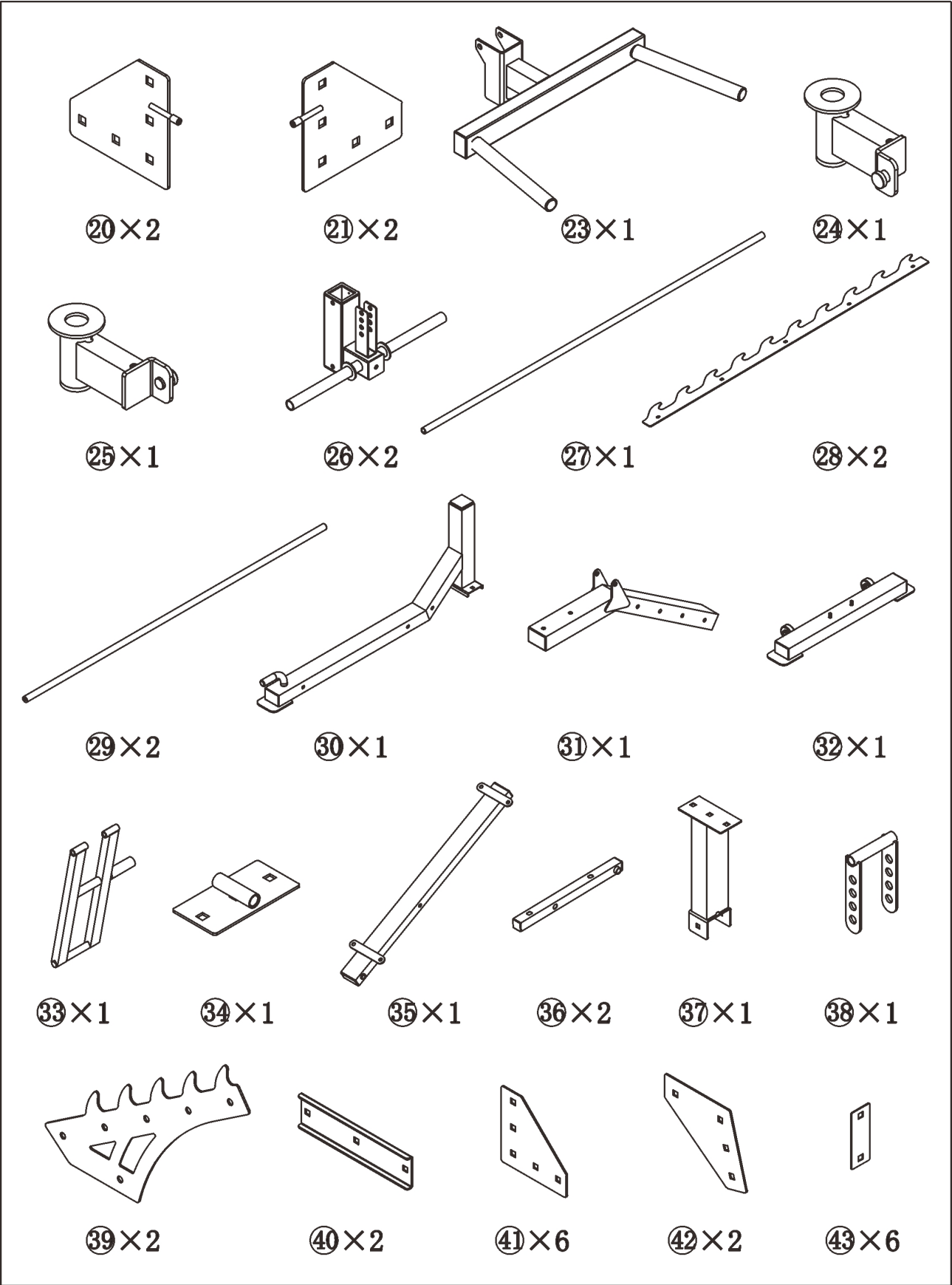
IMPORTANT: Please read the Important Safety Notice and Assembly Information in the Owner's manual before assembling this product.

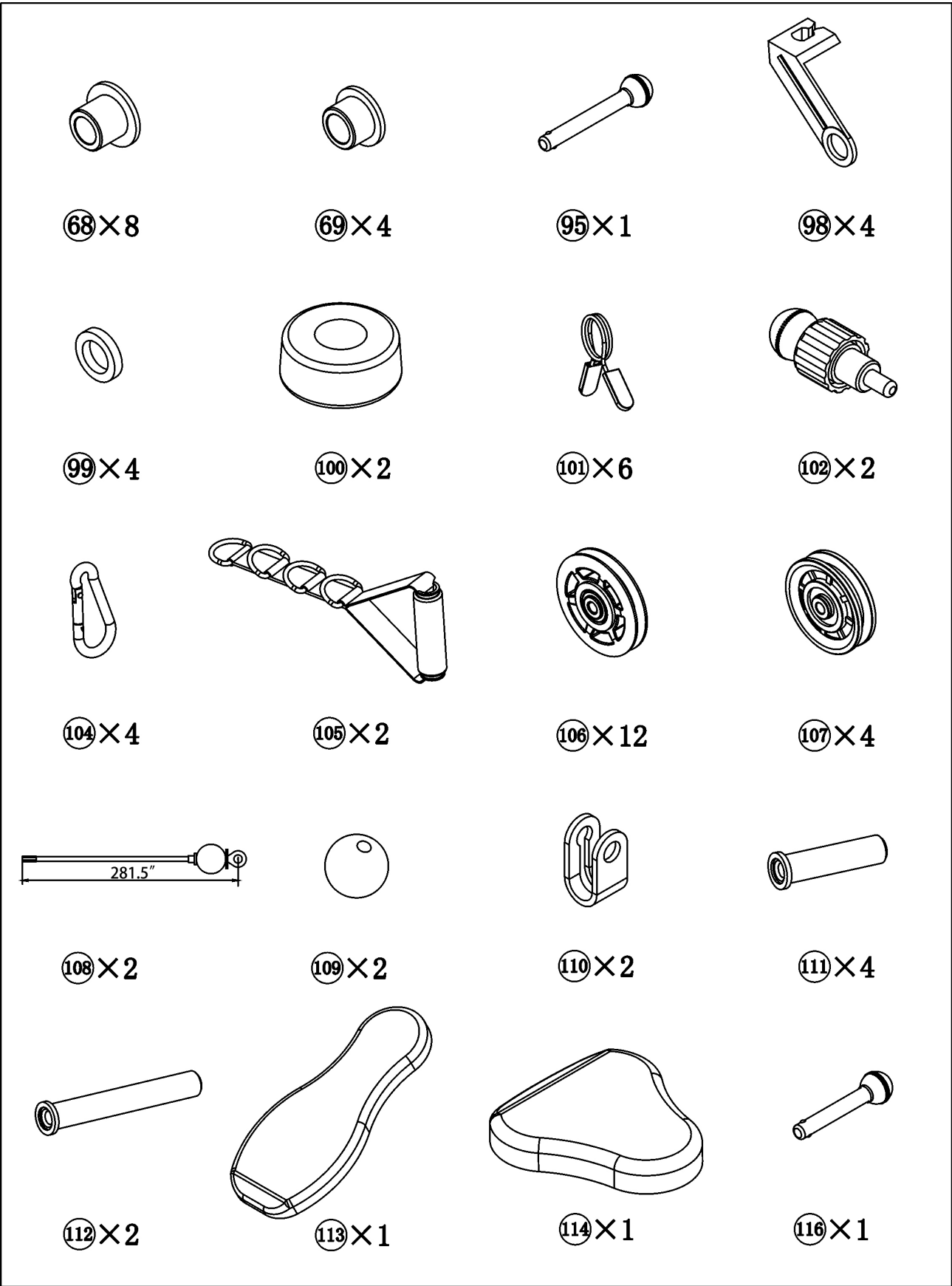
Assembly Manual

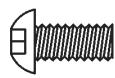
200227







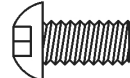




44 × 4



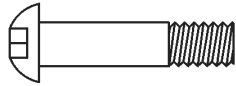
45 × 4



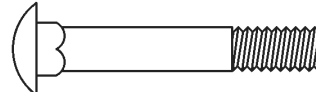
46 × 10



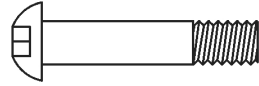
47 × 2



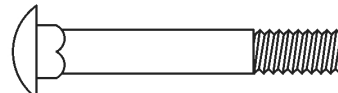
49 × 6



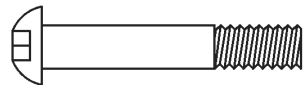
58 × 4



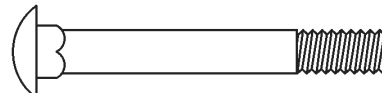
50 × 2



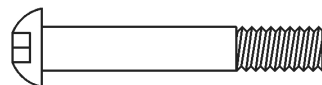
59 × 2



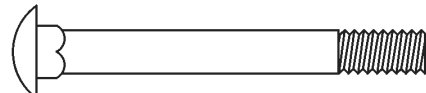
51 × 2



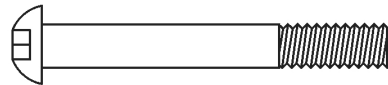
60 × 50



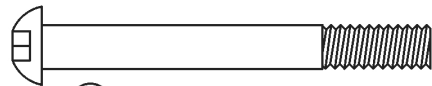
52 × 8



115 × 1



53 × 12



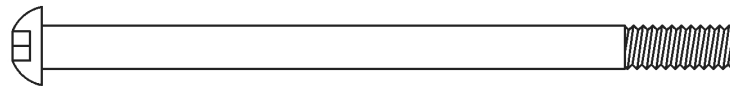
54 × 6



61 × 8



62 × 133



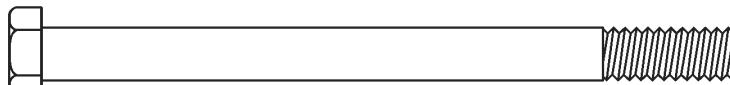
55 × 1



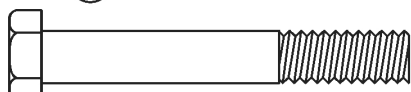
63 × 12



64 × 2



56 × 2



57 × 4



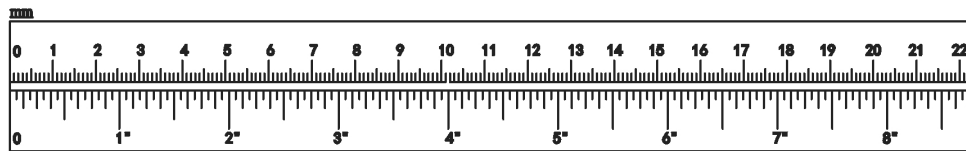
71 × 2



66 × 96



67 × 6

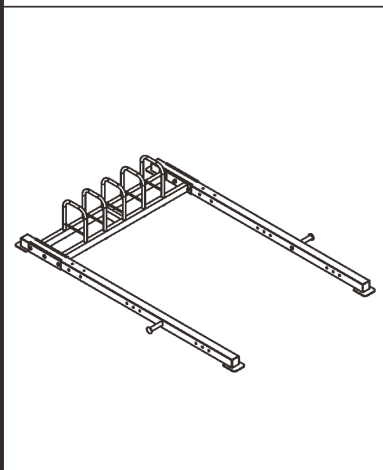
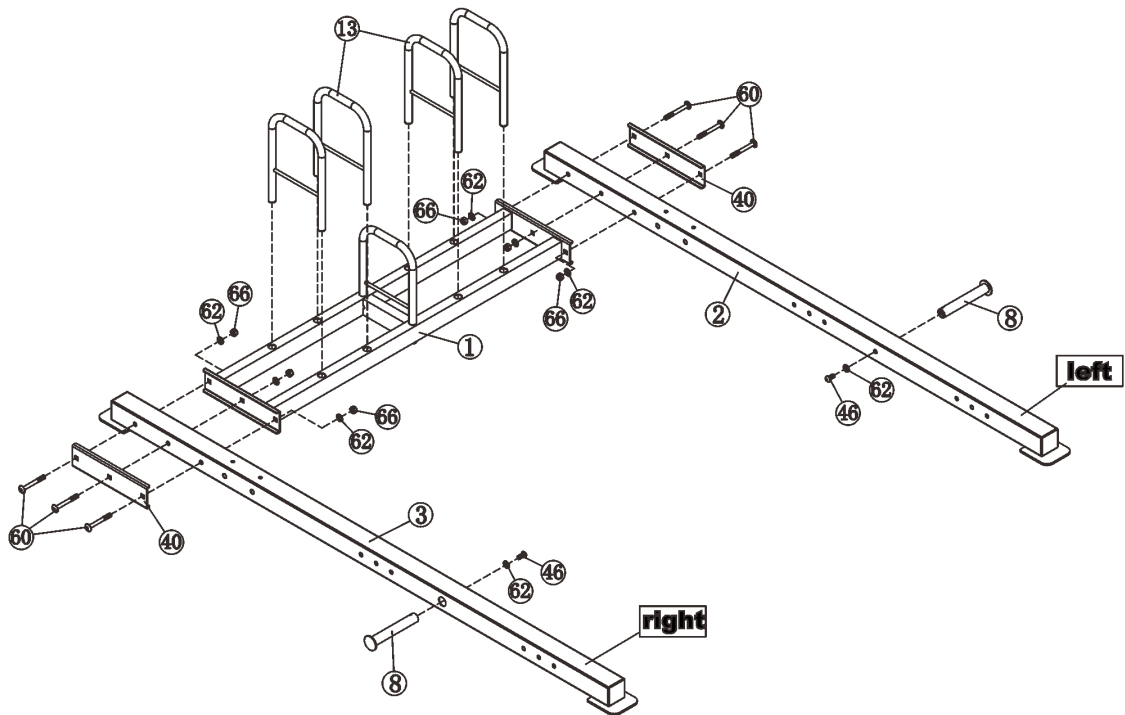
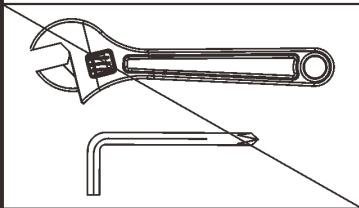


④⑥  2 M10× $\frac{3}{4}$ "

⑥①  6 M10×3 $\frac{1}{8}$ "

⑥②  8 $\varnothing \frac{3}{4}$ "

⑥⑥  6 M10

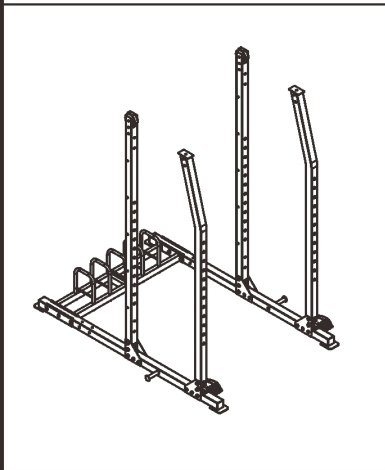
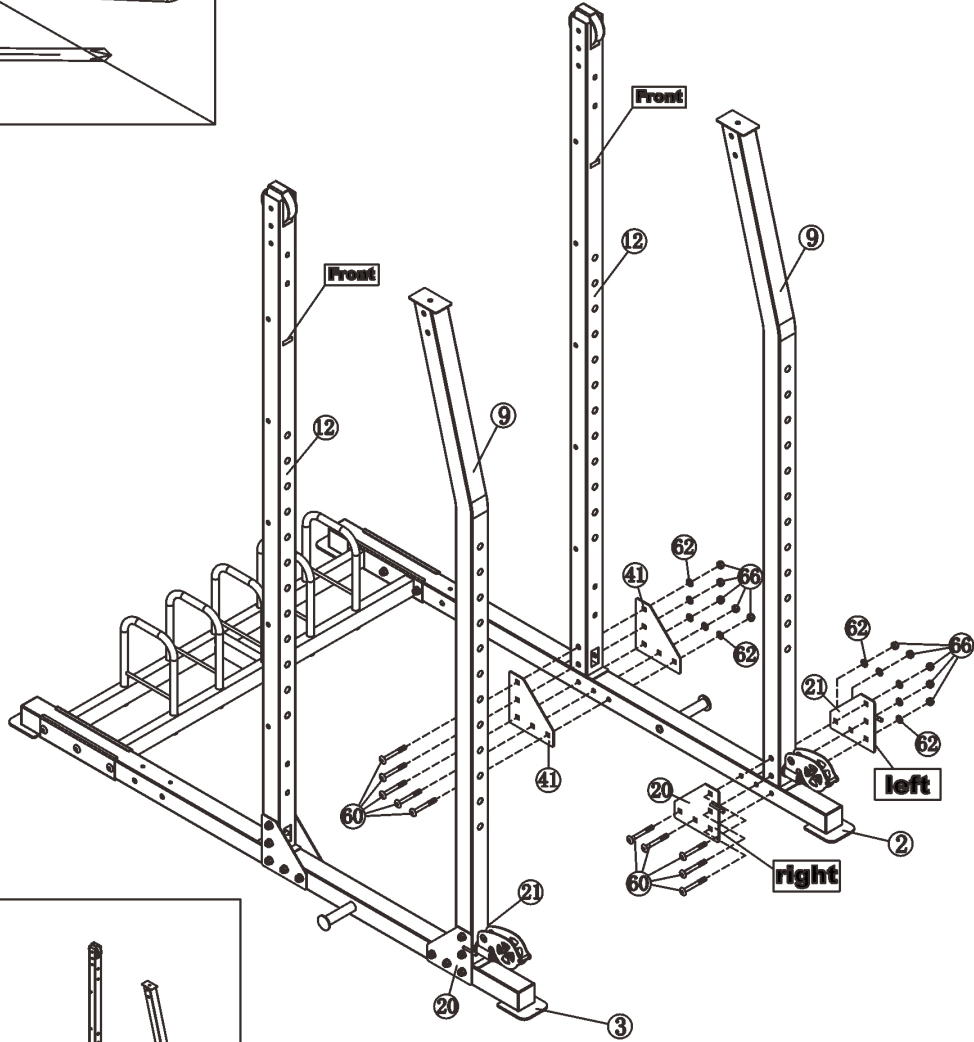
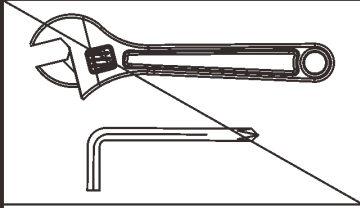


1

60  20 M10×3 1/8"

62  20 Ø 3/4"

66  20 M10

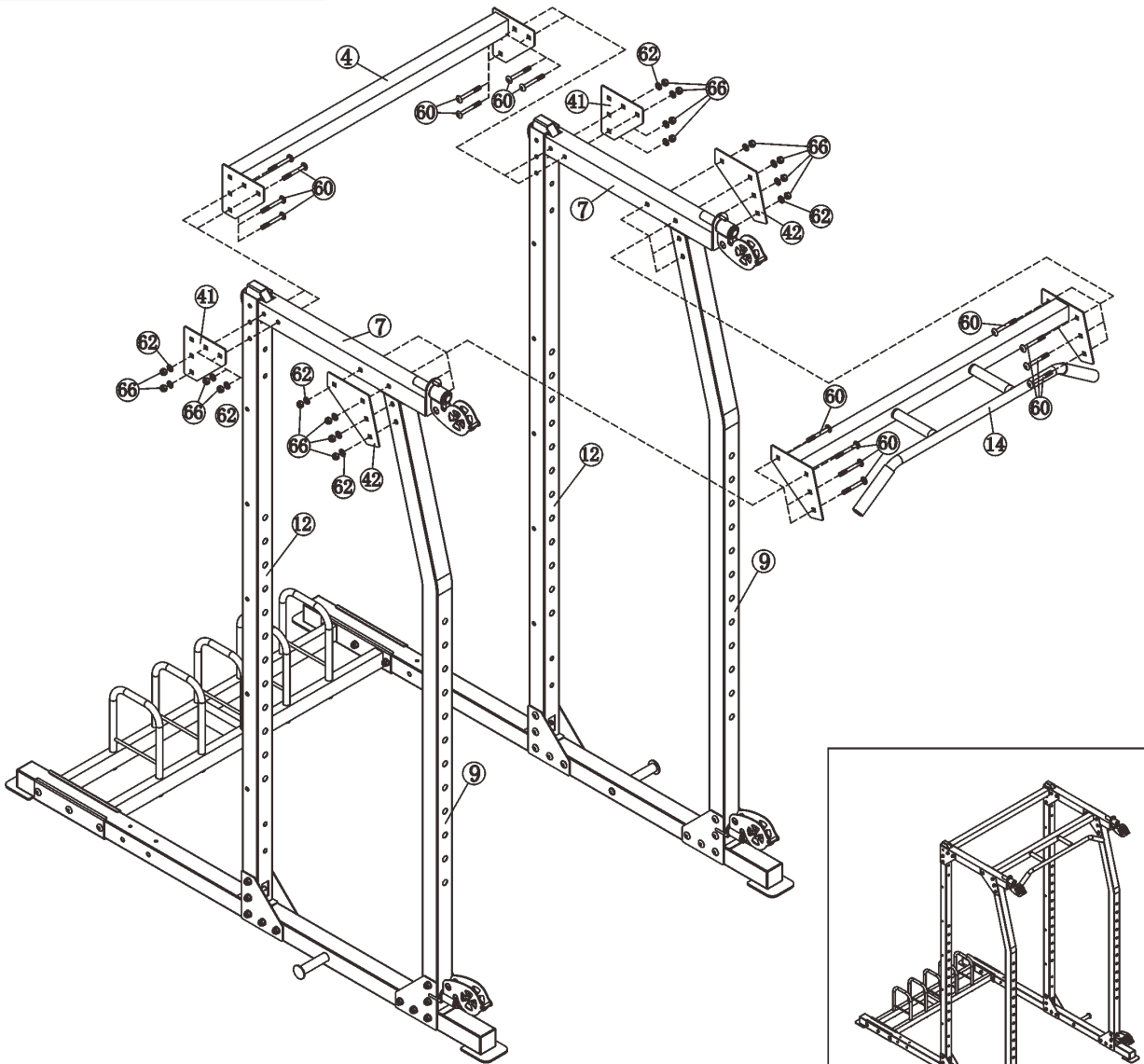
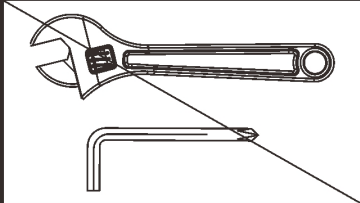


2

60  16 M10×3 1/8"

62  16 Ø 3/4"

66  16 M10




3

④⑥  4 M10 × 3/4"

⑤⑦  4 M12 × 3 3/8"

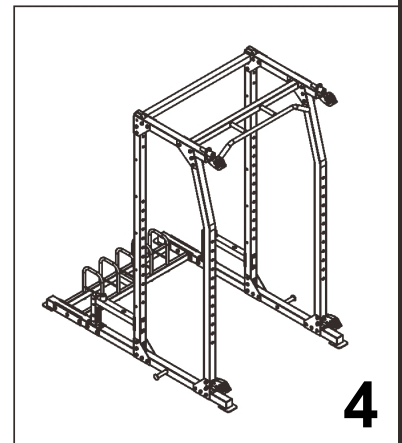
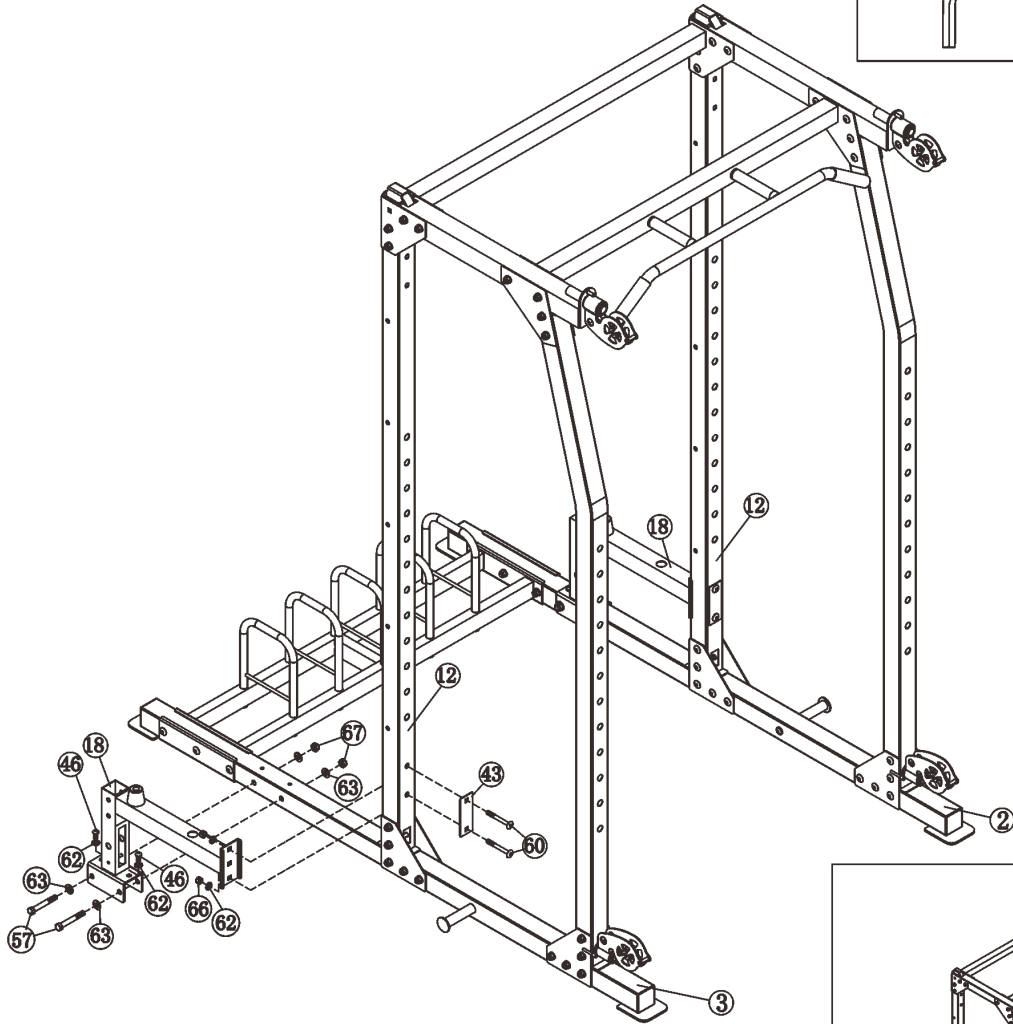
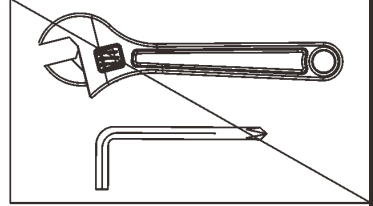
⑥⑩  4 M10 × 3 1/8"

⑥②  8 Ø 3/4"

⑥③  8 Ø 1"

⑥⑥  4 M10

⑥⑦  4 M12

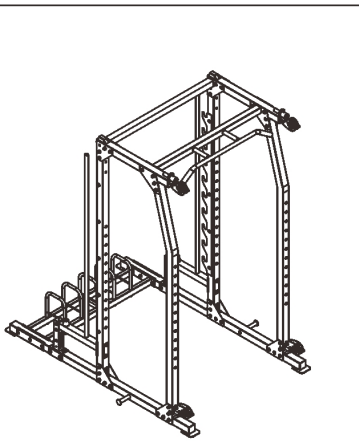
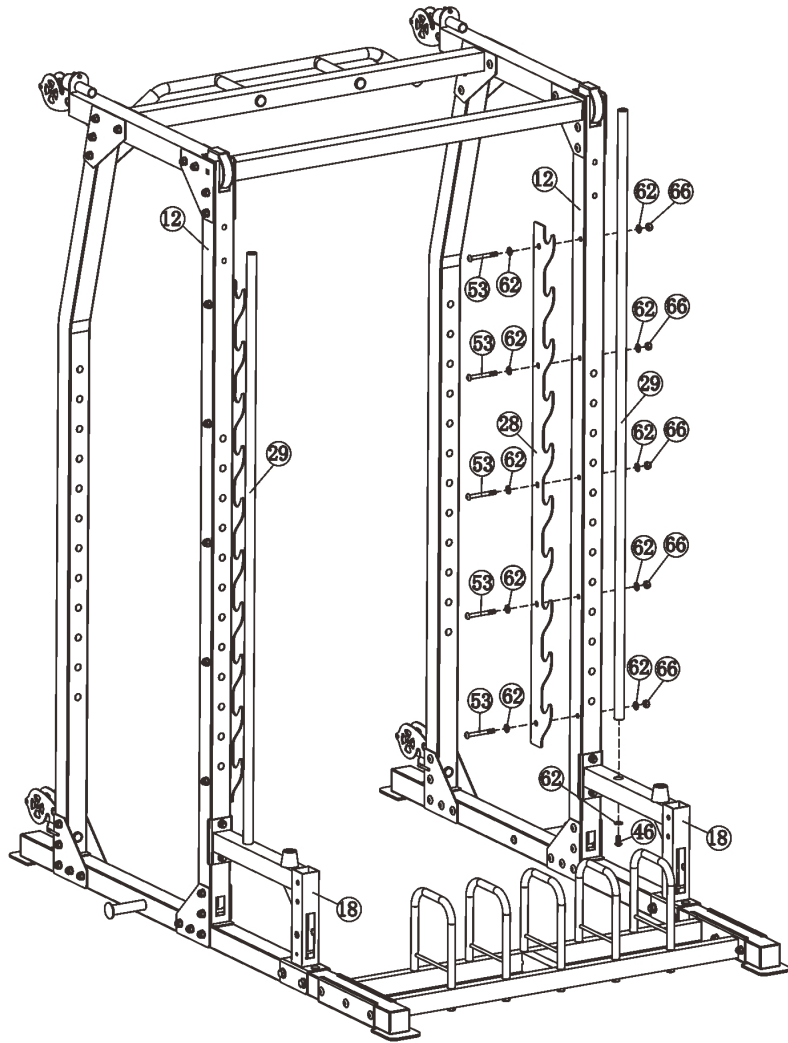
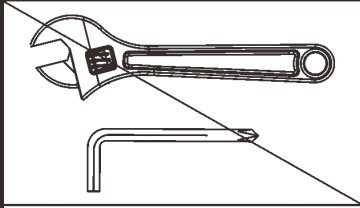


④⑥  2 M10× $\frac{3}{4}$ "

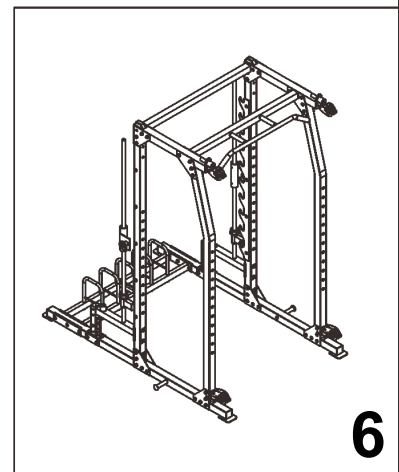
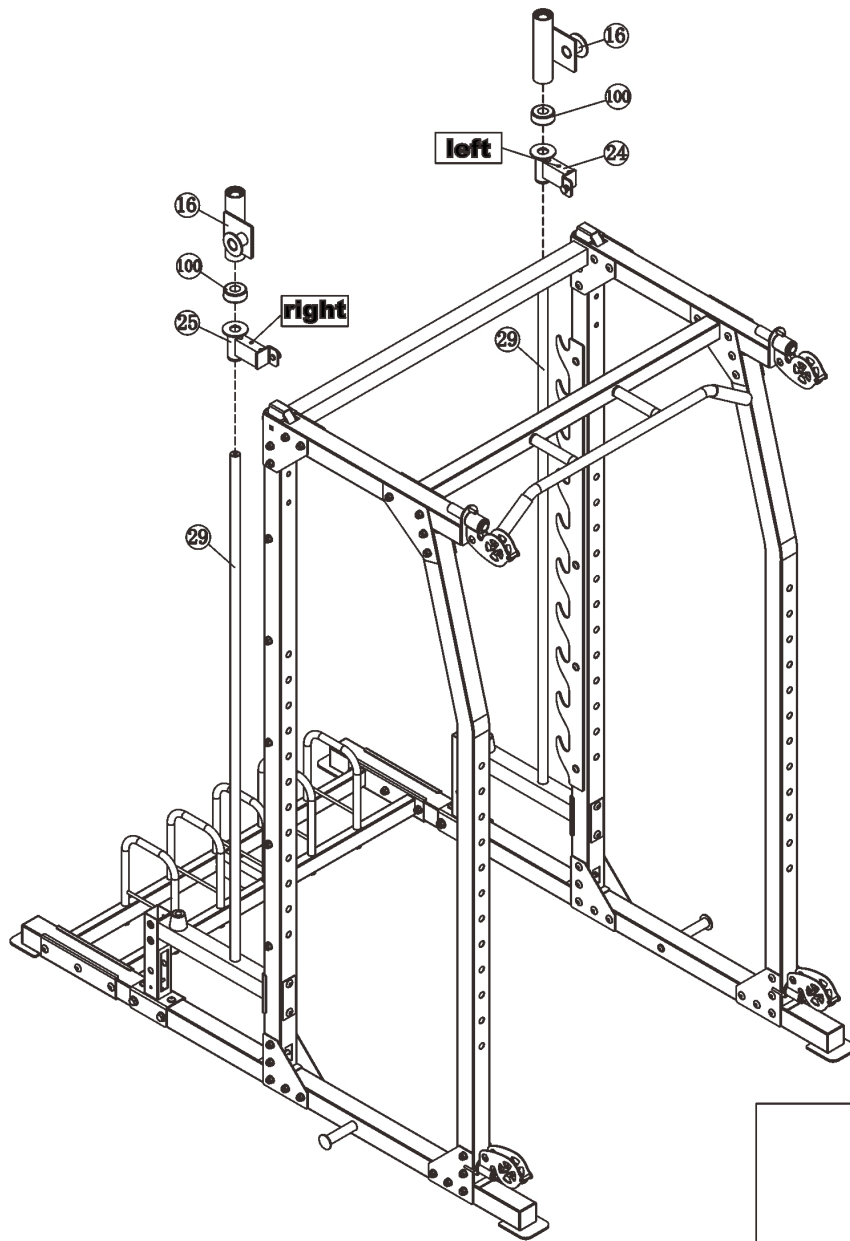
⑤③  10 M10×3 $\frac{1}{8}$ "

⑥②  22 $\varnothing \frac{3}{4}$ "

⑥⑥  10 M10



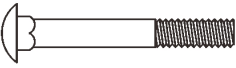
5



④⑥  2 M10× $\frac{3}{4}$ "

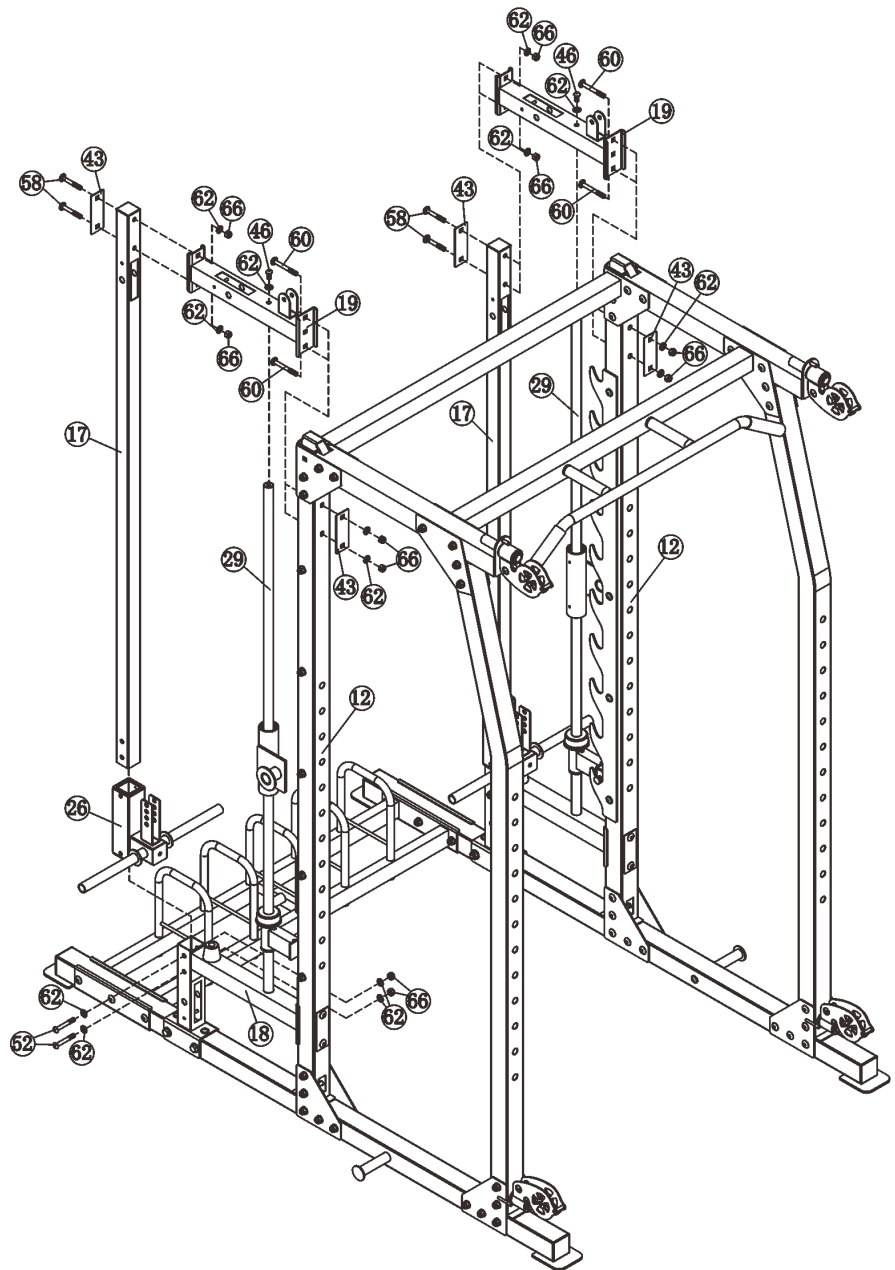
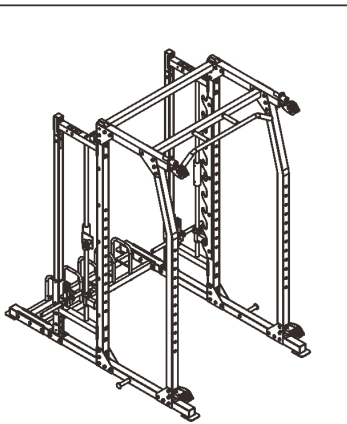
⑤②  4 M10×2 $\frac{1}{2}$ "

⑥①  4 M10×3 $\frac{1}{8}$ "

⑤⑧  4 M10×2 $\frac{1}{2}$ "

⑥②  18 $\emptyset \frac{3}{4}$ "

⑥⑥  12 M10



7

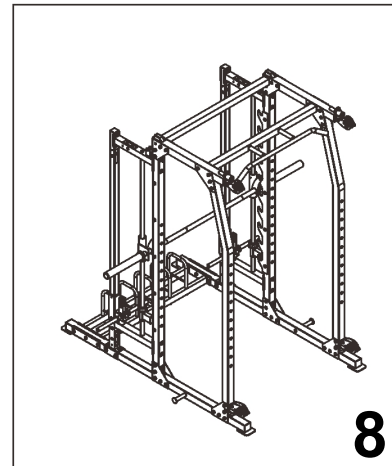
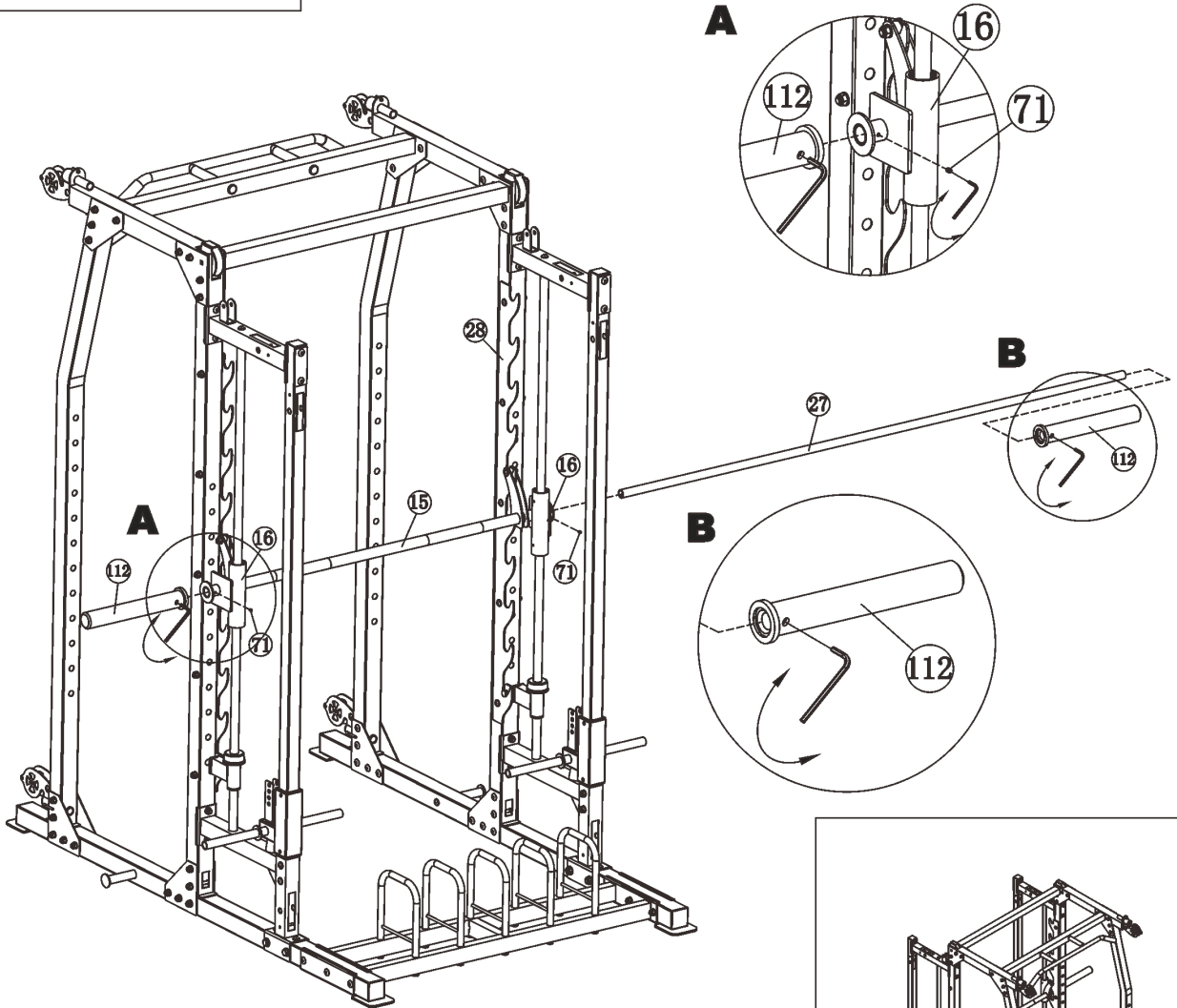
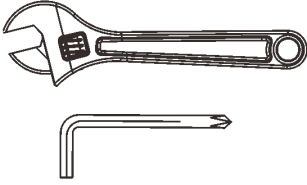
71



2 M6 × 1/4"

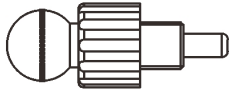


3# 4# Allen Wrench (Tool)



8

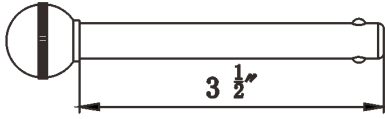
102



2

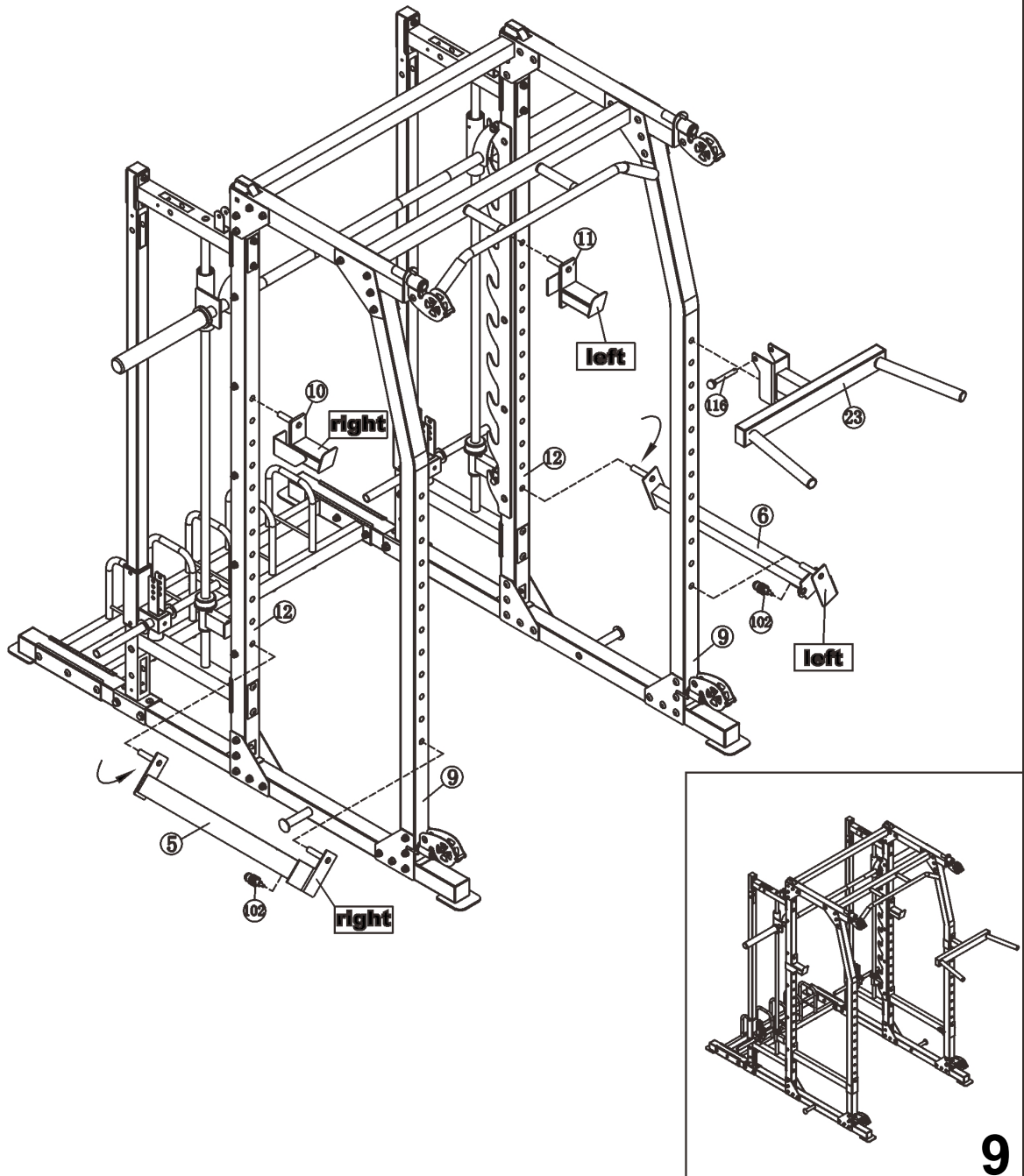
M16×1.5

116



1

Ø 1/2" × 3 1/2"



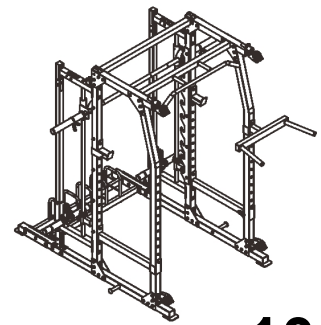
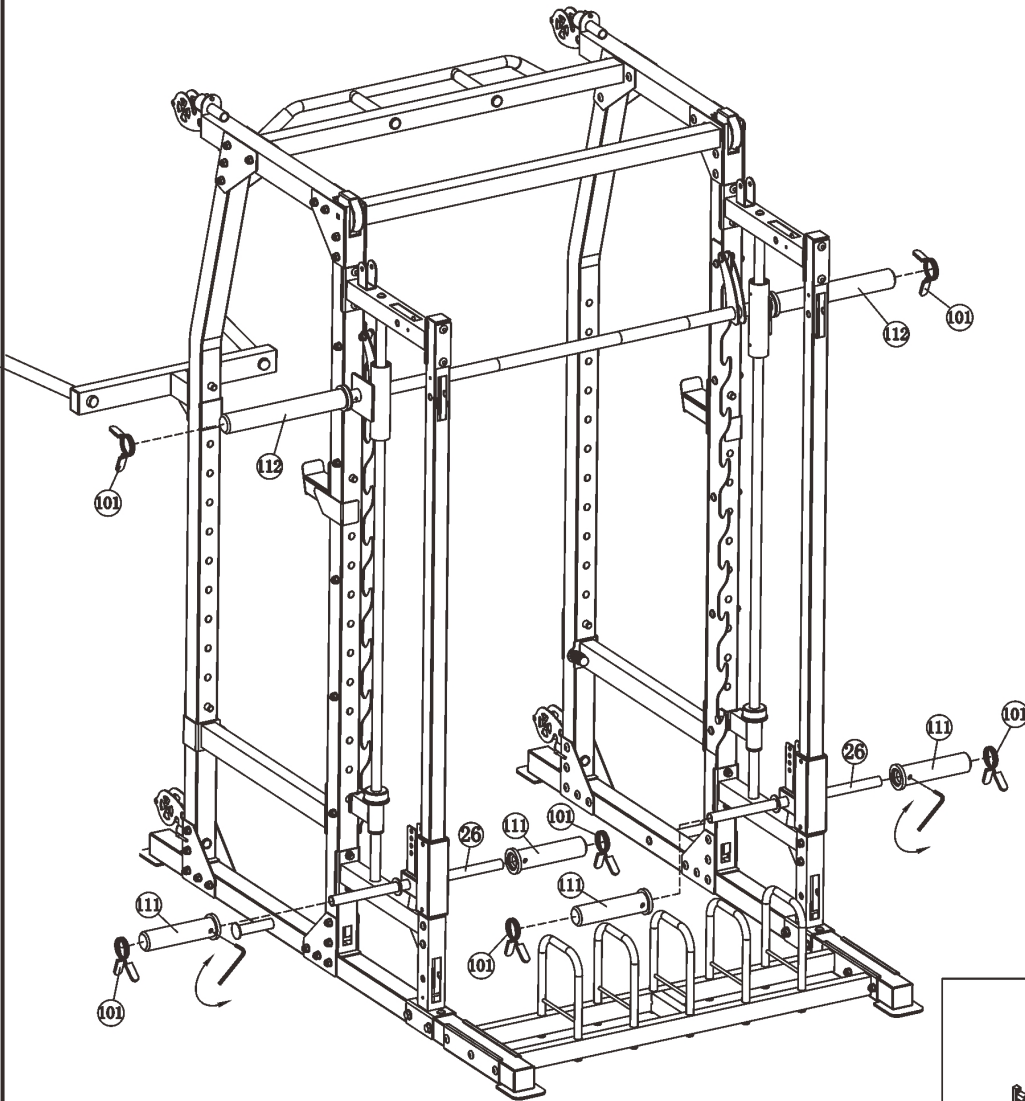
101



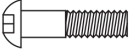
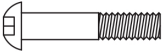

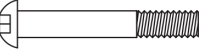
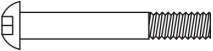
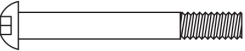




6

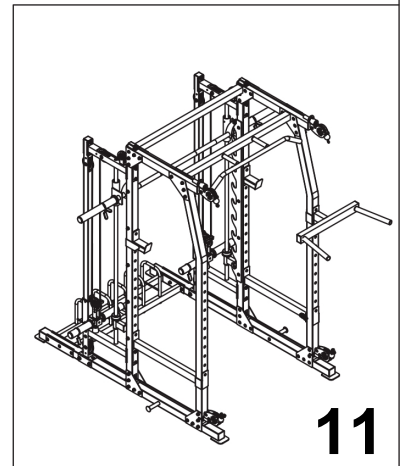
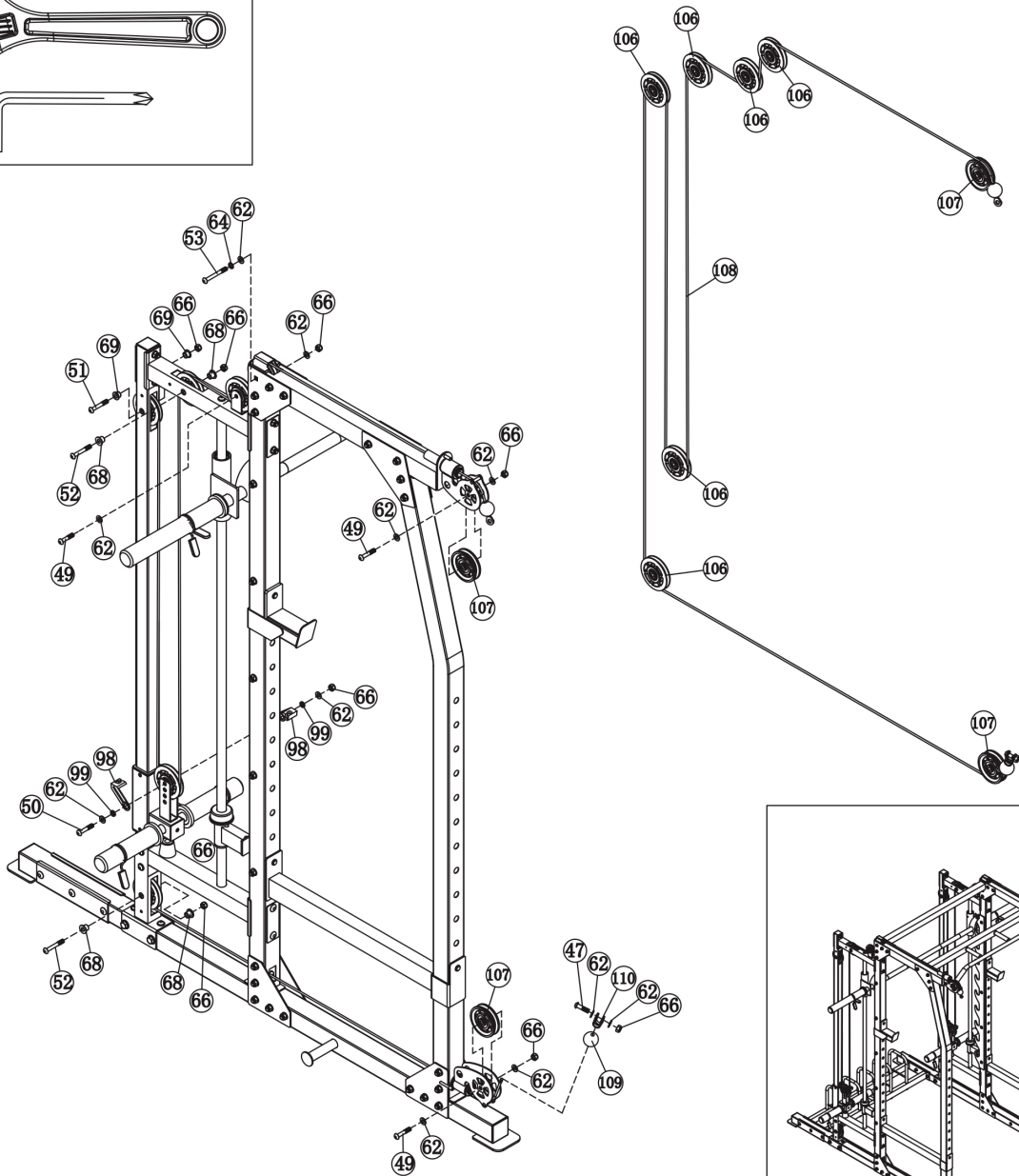
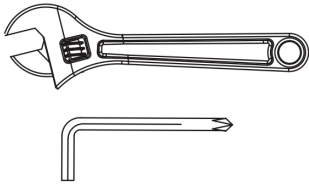


4# Allen Wrench (Tool)

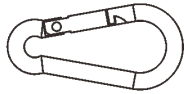


10

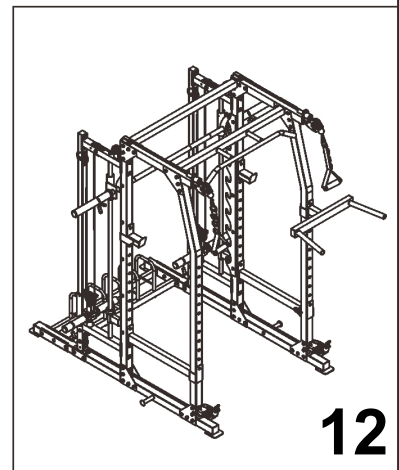
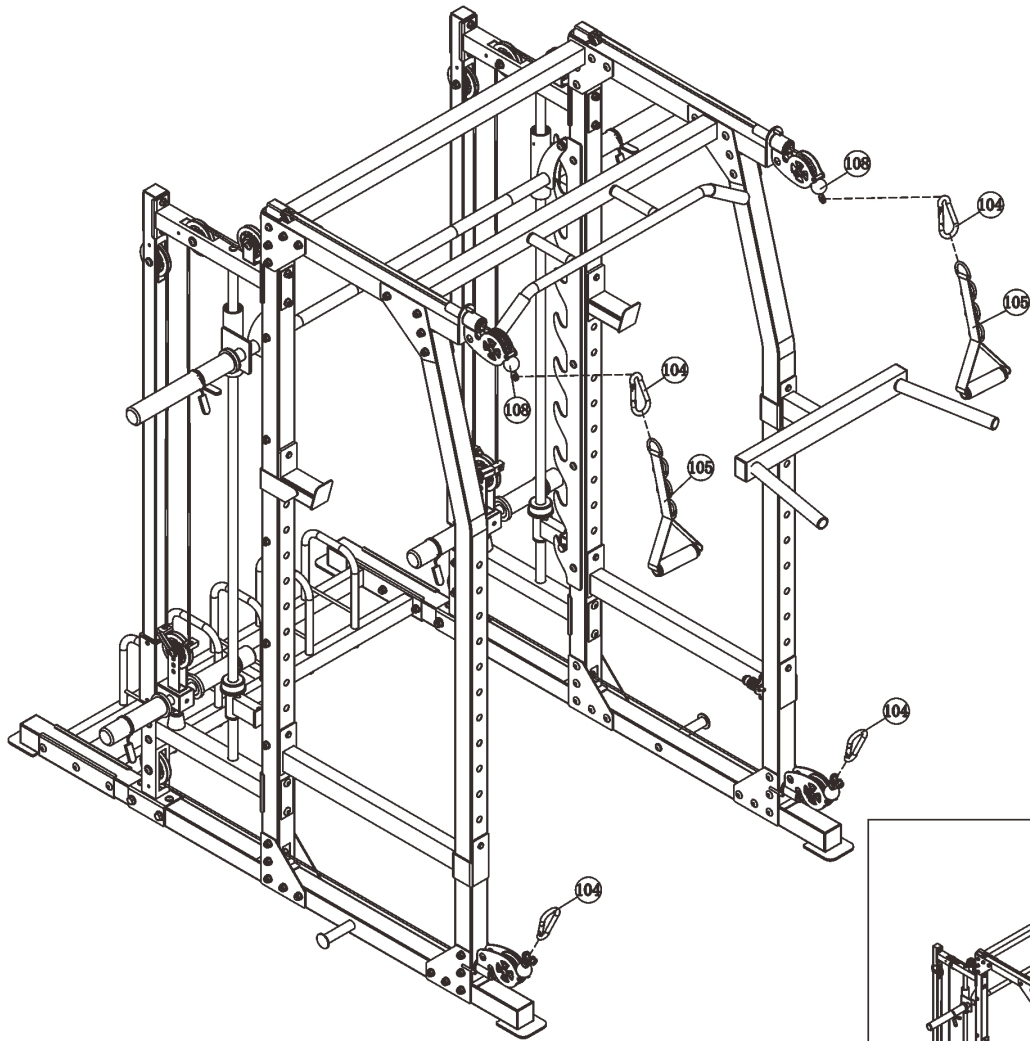
- | | | | | | | | |
|----|---|----|------------|----|--|---|------------|
| ④7 |  | 2 | M10×1 3/8" | ④9 |  | 6 | M10×1 3/4" |
| ⑤0 |  | 2 | M10×2" | ⑤1 |  | 2 | M10×2 3/8" |
| ⑤2 |  | 4 | M10×2 1/2" | ⑤3 |  | 2 | M10×3 1/8" |
| ⑥2 |  | 22 | Ø 3/4" | ⑥4 |  | 2 | Ø 3/4" |
| ⑥6 |  | 16 | M10 | ⑩8 |  | | 281.5" |



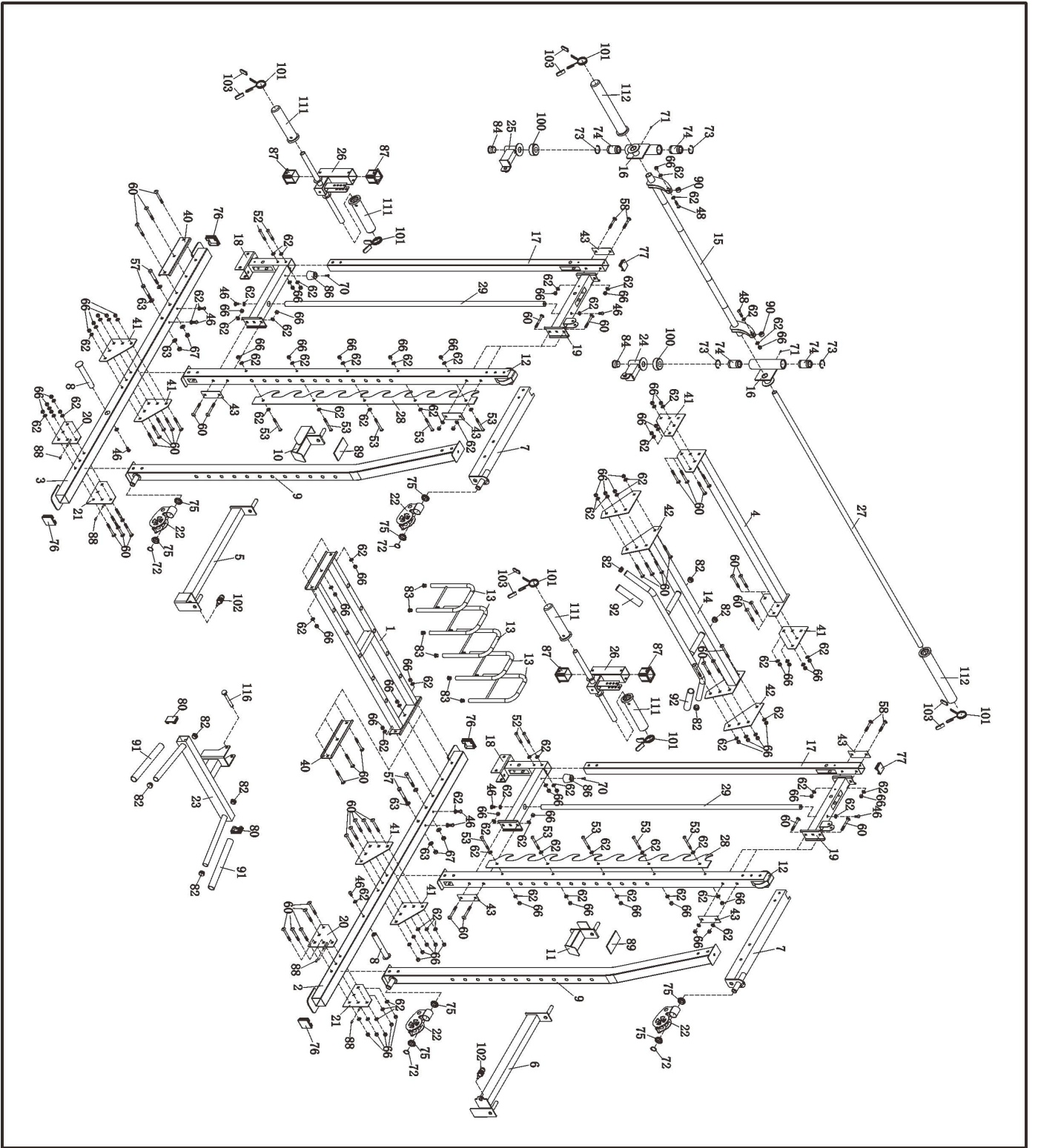
104

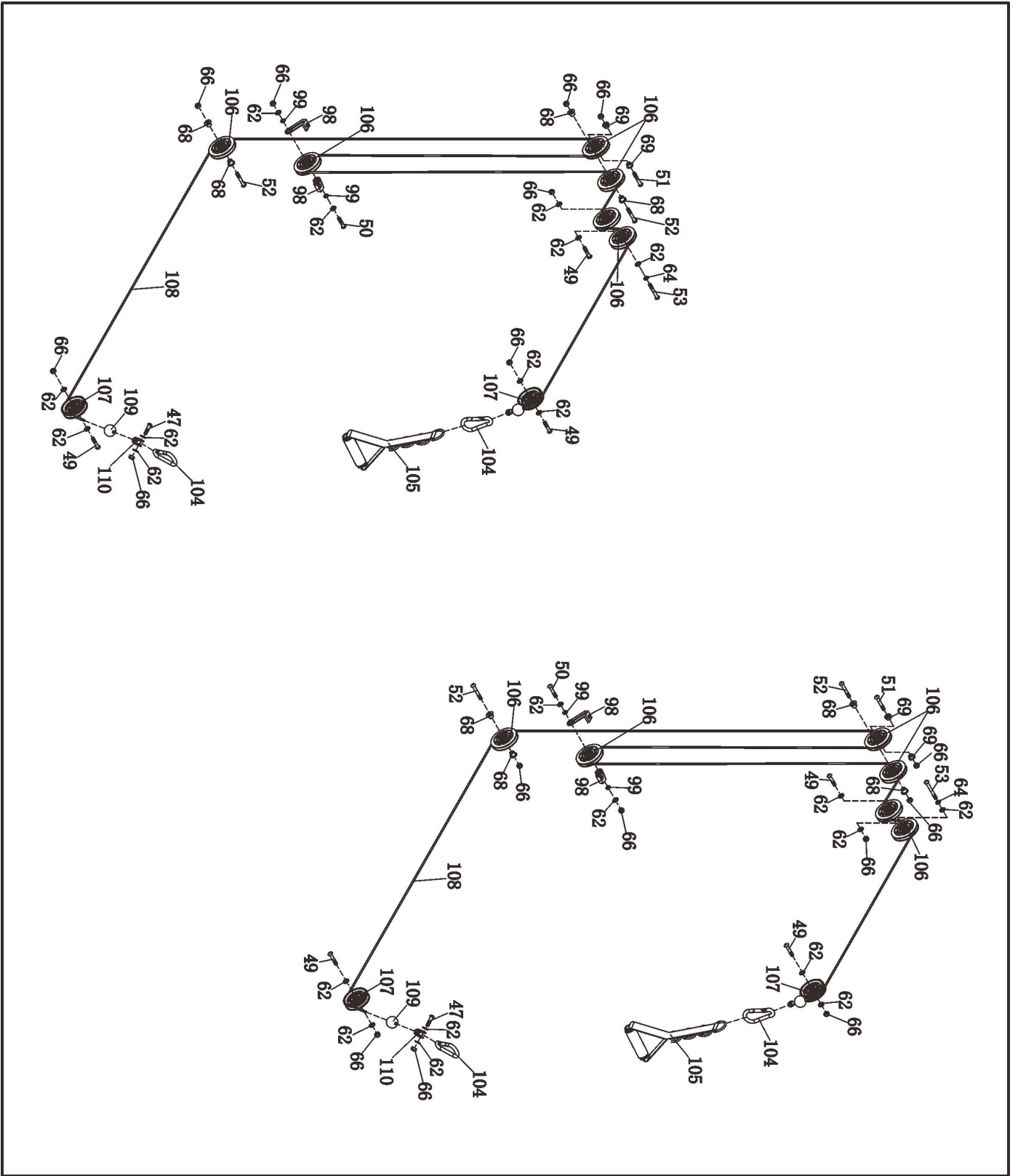


4 7# Clip hook



12





62



2

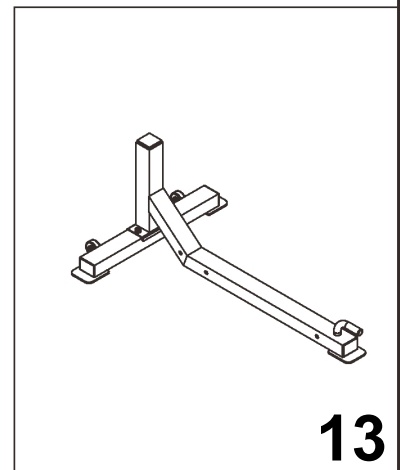
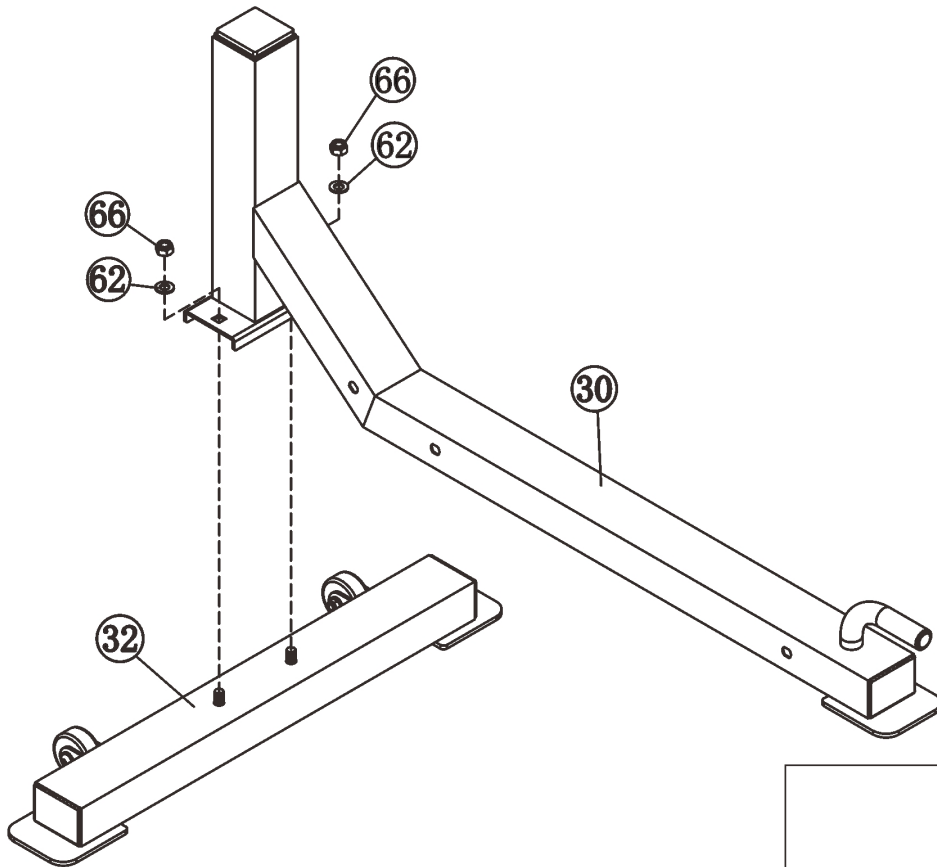
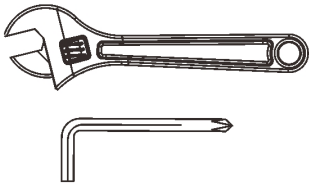
Ø 3/4"

66

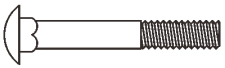

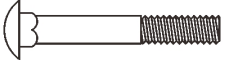



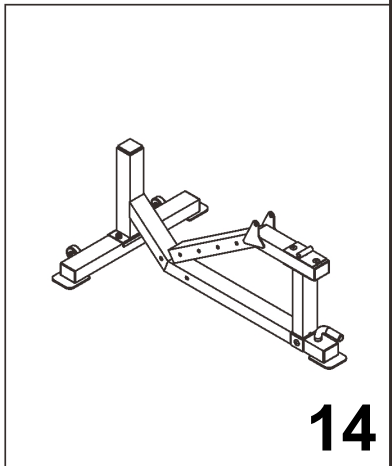
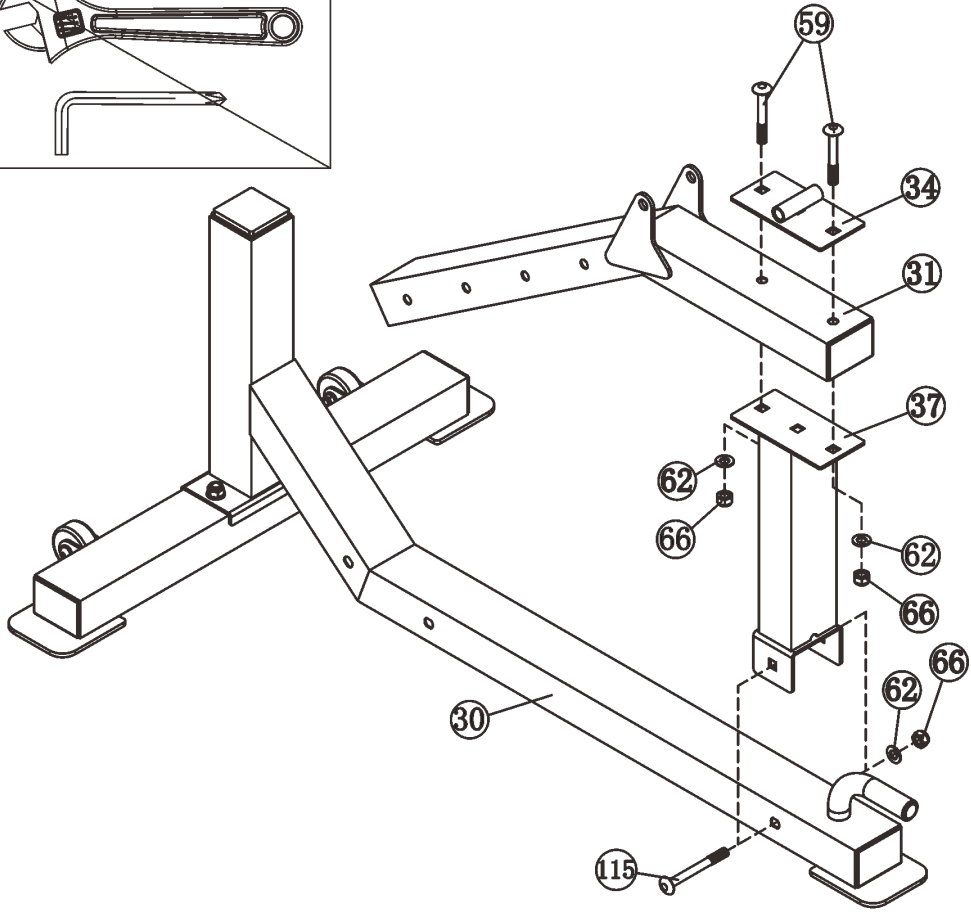
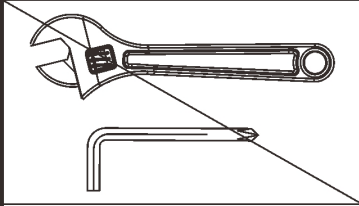
2

M10



13

| | | | | | | | |
|-----|---|---|------------|----|---|---|-----|
| 59 |  | 2 | M10×2 3/4" | 66 |  | 3 | M10 |
| 115 |  | 1 | M10×3 1/2" | | | | |
| 62 |  | 3 | Ø 3/4" | | | | |



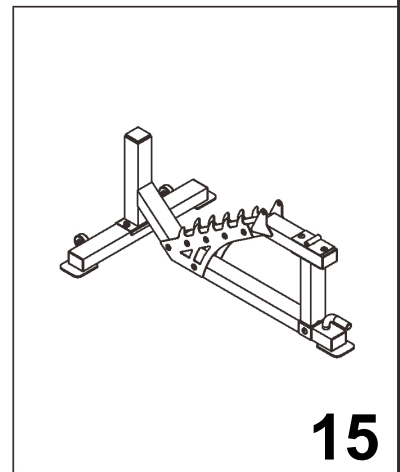
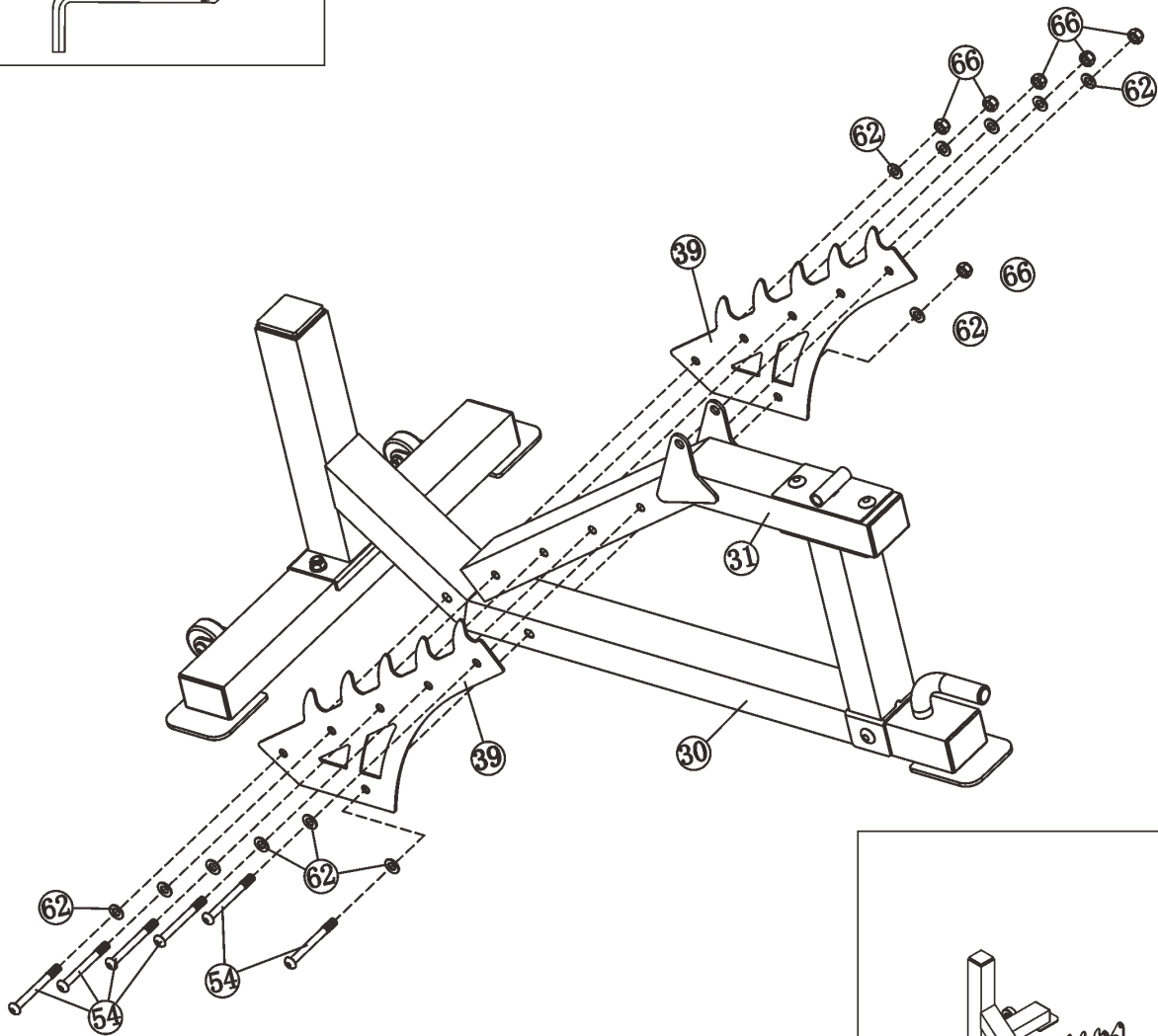
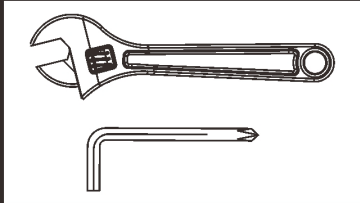
14

54  6 M10×3 1/2"

62  12 Ø 3/4"

66  6 M10

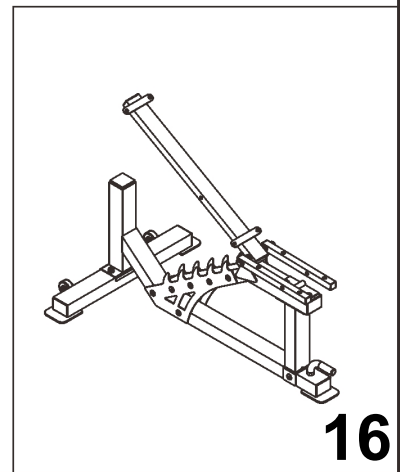
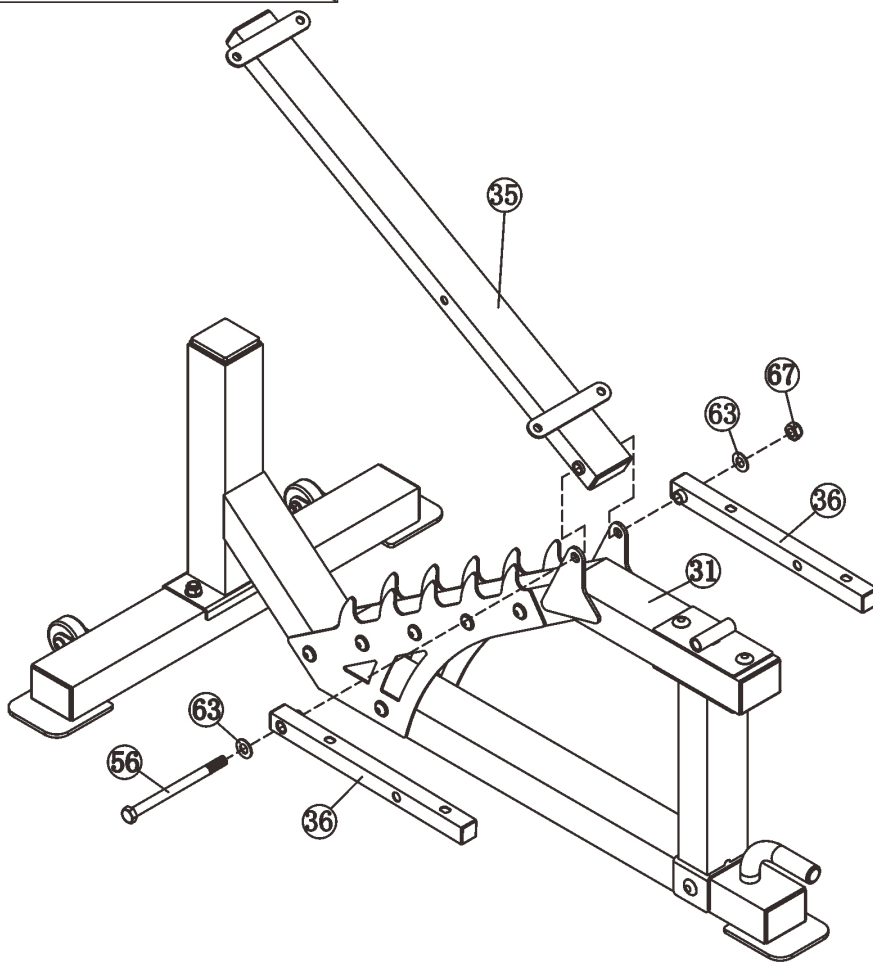
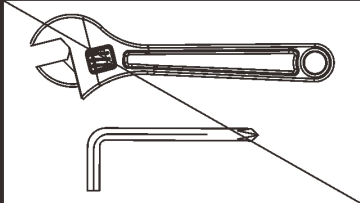

6# Allen Wrench (Tool)

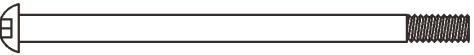
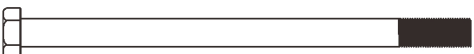


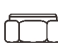
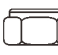
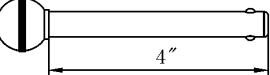


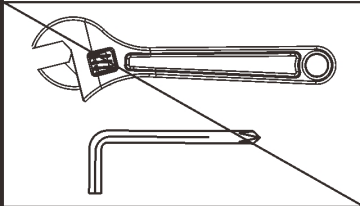
⑤⑥  1 M12× 6 1/4"

⑥③  2 Ø 1"

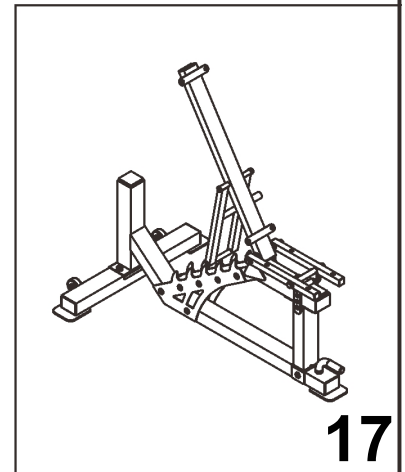
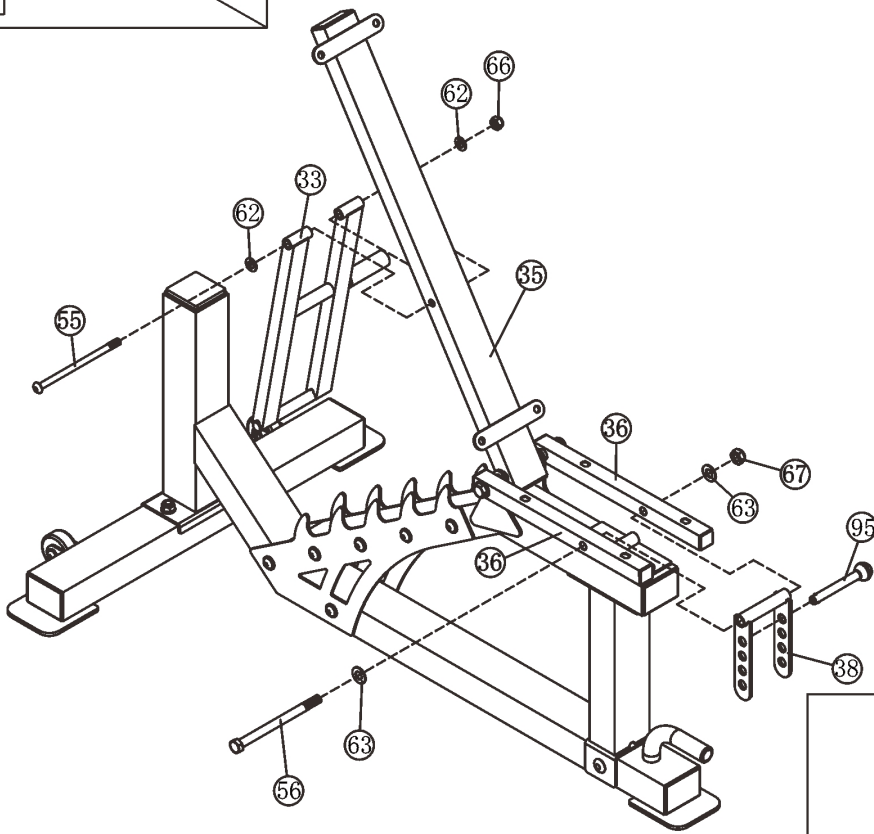
⑥⑦  1 M12



- | | | | |
|----|---|---|--------------|
| ⑤⑤ |  | 1 | M10 × 6 1/4" |
| ⑤⑥ |  | 1 | M12 × 6 1/4" |
| ⑥② |  | 2 | Ø 3/4" |
| ⑥③ |  | 2 | Ø 1" |
| ⑥⑥ |  | 1 | M10 |
| ⑥⑦ |  | 1 | M12 |
| ⑨⑤ |  | 1 | Ø 1/2" × 4" |



6# Allen Wrench (Tool)

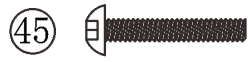


17



4

M8 × 3/4"



4

M8 × 1 1/2"

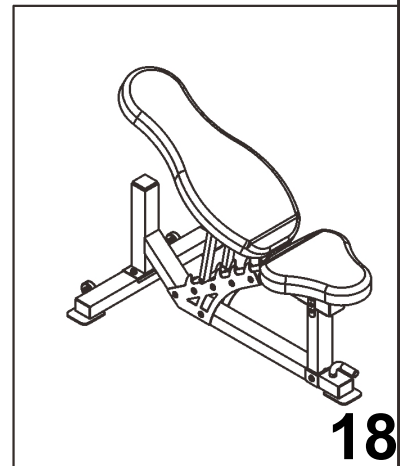
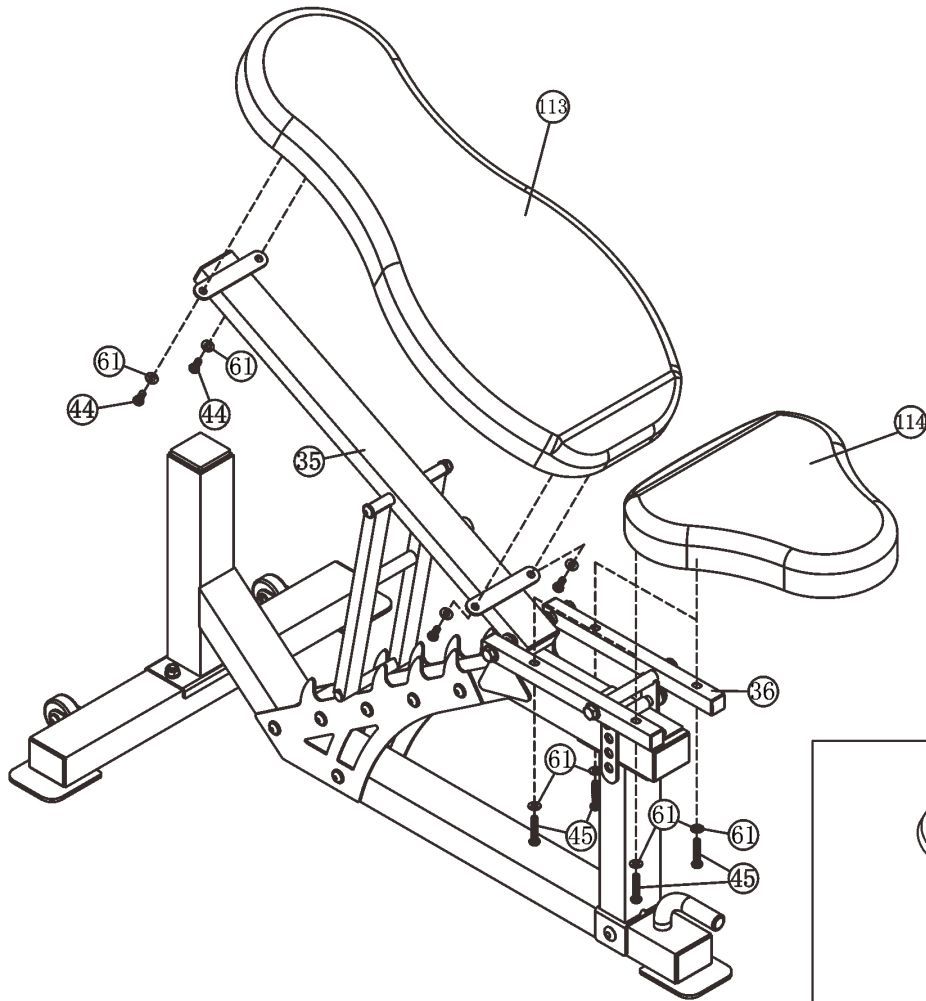
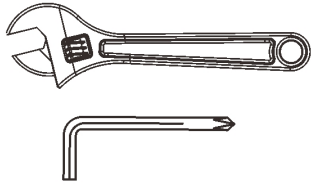


8

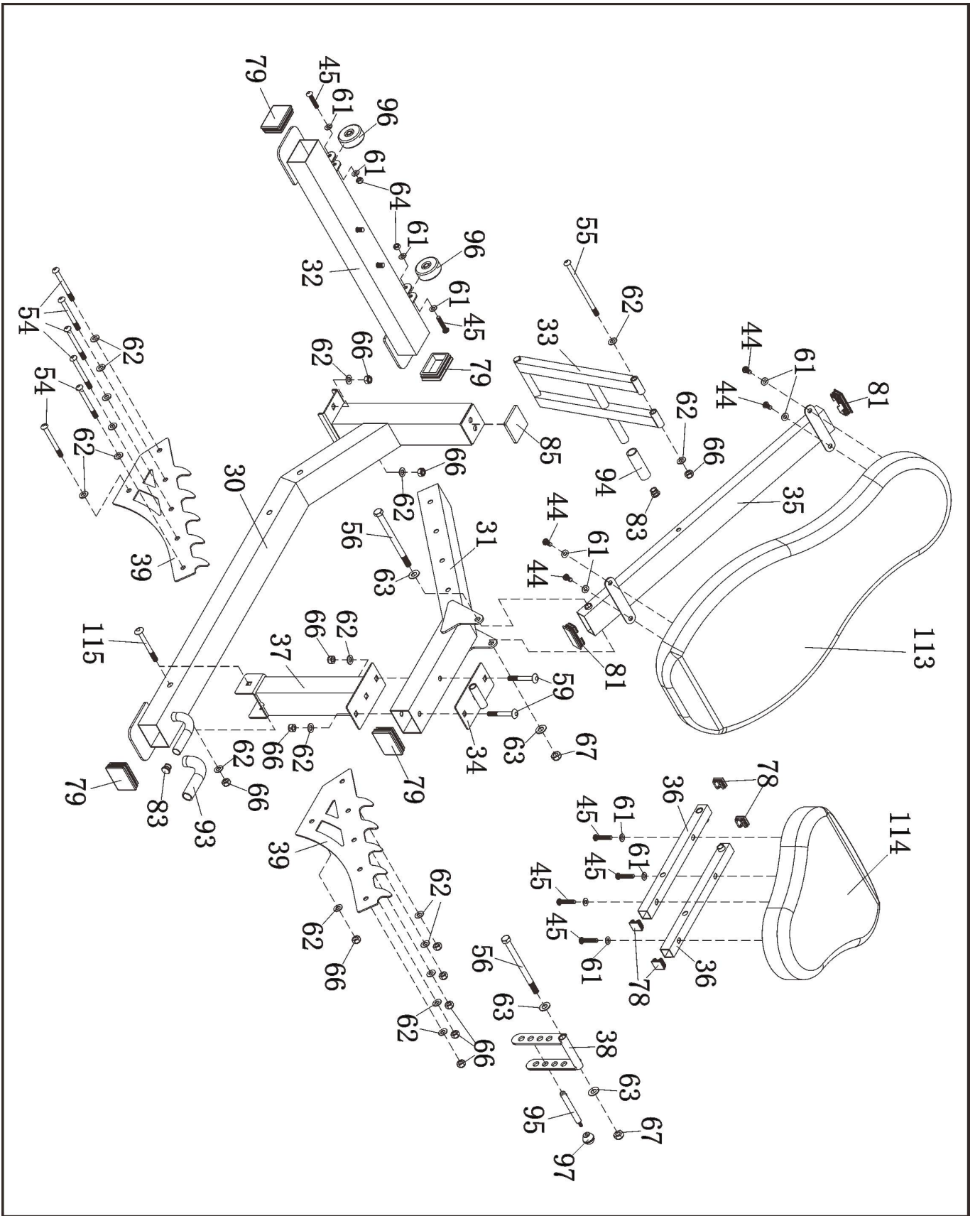
Ø 5/8"



5# Allen Wrench (Tool)



18



IMPEX® INC.

2801 S. Towne Ave. Pomona, CA 91766

Tel: (800) 999-8899

www.marcypro.com

support@impex-fitness.com